

Applications:

- Ethernet Business Services Delivery
- Reclaim Metro Ethernet Fibers
- Adding new Ethernet drops to existing fiber
- Campus Networks
- Video Surveillance
- Transportation Systems
- Media Conversion

Key Highlights:

- Self-Managing Gigabit Ethernet Transport
- Auto Configures with all Ethernet Switches and Routers
- 2 Network (Trunking) GigE SFP Optical Ports
- 1 Gigabit Ethernet Service Drop or Uplink Port
- 4 Ethernet Service Ports full line rate (500Mbps)
- Status Indicator LEDs
- Remote management of RHINO GTOs

The RHINO GTO-R3 provides cost effective Gigabit Ethernet transport for high speed IP-based data services. Gigabit Ethernet transport provides the bandwidth required for demanding Data, Video and Voice services.

Reclaim Fiber Routes and Multiply Revenue per Fiber

The RHINO GTO-R3 is a rack mount GigE Transport platform using a powerful integrated Ethernet switch. The two (2) SFP-based Network ports can be Gigabit Ethernet, EPON or CWDM. These SFP ports can be any distance range of single mode or multimode fiber or copper. The 3rd GigE port is used as a GigE service drop or uplink. There are four (4) 10/100 auto-negotiating Ethernet ports service ports on the GTO-R3.



Flexible Fiber Optic Transport Options

The RHINO GTO-R3 is optimized for Metro Ethernet applications and can use a wide range of connectivity options:

- Point to Point Gigabit Ethernet
- Gigabit Ethernet Ring
- Gigabit Symmetrical Ethernet Passive Optical Network (EPON)
- 8 wavelength Coarse Wavelength Division Multiplexing (CWDM)

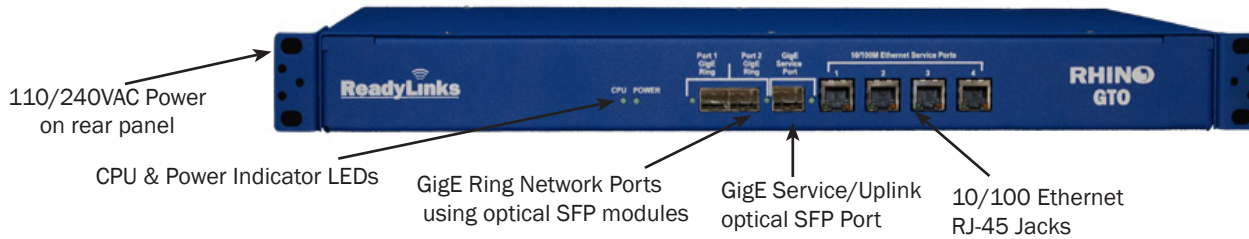
Industry's Lowest GigE Transport Costs

- RHINO GTO-R3 is optimized for Metro Ethernet applications
- Utilize Ring and Chain configurations to reclaim existing fibers and add customers to existing fibers
- Rackmount enclosure and electronics withstand harsh environments
- Pluggable optical and/or copper SFP ports provides flexibility
- Lower optical transceiver costs - RHINO supports the complete distance range of single fiber or dual fiber single mode and dual fiber multi-mode ReadyLinks SFP laser packs
- Ethernet switch capabilities provides flexible IP data management using advanced VLAN management and tagging protocols
- The RHINO GTO-R3 is compatible with all major Ethernet Switch and Router Vendors. The GTO-R3 is truly a plug and play Ethernet termination solution.

Rapid One Step Provisioning, Multiple Management Options

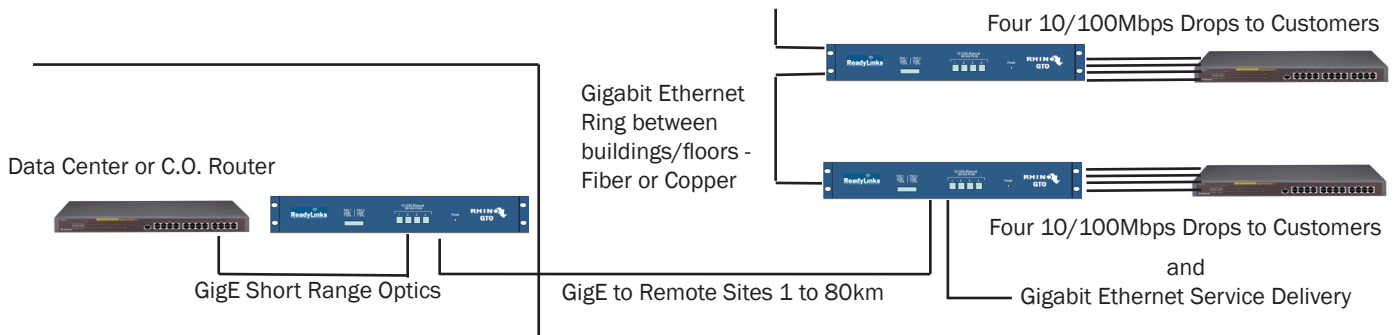
- Remote management of RHINO reduces truck rolls
- Auto provisioning via DHCP and active scripts
- Command Line Interface (CLI) with standard commands
- ReadyView™ Graphical User Interface

RHINO GTO-R3 Interfaces



RHINO GTO-R3 Network Example:

The RHINO GTO-R3 has several configuration options to provide Gigabit Ethernet transport solutions.



Specifications	
Environmental Specifications	
Operating Temperature	- 40 to 80 ° C
Input Voltage, Power Consumption	AC Power 110/240V, 9 Watts
Humidity	95% non-condensing
Certifications	UL, CSA, CE, FCC Part 15 Class B
WAN and Service Ports	
WAN Connectivity	Two (2) SFPs supporting 1Gbps symmetrical Ethernet. Works with dual or single fiber, single mode or multi-mode, short, medium or long reach SFPs and Copper SFPs, EPON and CWDM
Ethernet Service Ports	One (1) 1Gbps SFP service/uplink port. Four (4) 10/100BaseTX Ethernet full duplex RJ-45, full line rate. Optional 1Gbps Service drop using WAN SFP - fiber or copper.
Quality of Service	802.1Q VLAN, 802.1p, (Voice, Video, Data and Management have priorities), QinQ tagging, up to 200 VLANs, Per port egress rate shaping and ingress rate limiting and policing, video prioritization
Standards Compliance	IEEE802.3, IEEE802.3u, IEEE802.x, IEEE802.1D, IEEE802.1Q VLAN ID, RoHS, GR-49
Mechanical Specifications	
Dimensions, Weight	12"(L) x 19"(W) x 1.75"(H), (300mm x 475mm x 44mm), 4 lbs.

Note: specifications are subject to change. V2.3