



GL-8xC

## Key Features



- Fully Managed Layer 2+ Switch
- 1.8 Gbps over any copper (Coax or Twisted Pair)
- Dual 10 Gige SFP+ and RJ45 uplink ports for Daisy Chain and Ring Architecture

## Applications

- IP Surveillance
- Wi-Fi Networks
- IPTV
- Multi Dwelling Units
- AV, Crestron, Digital Signage

## Highlights

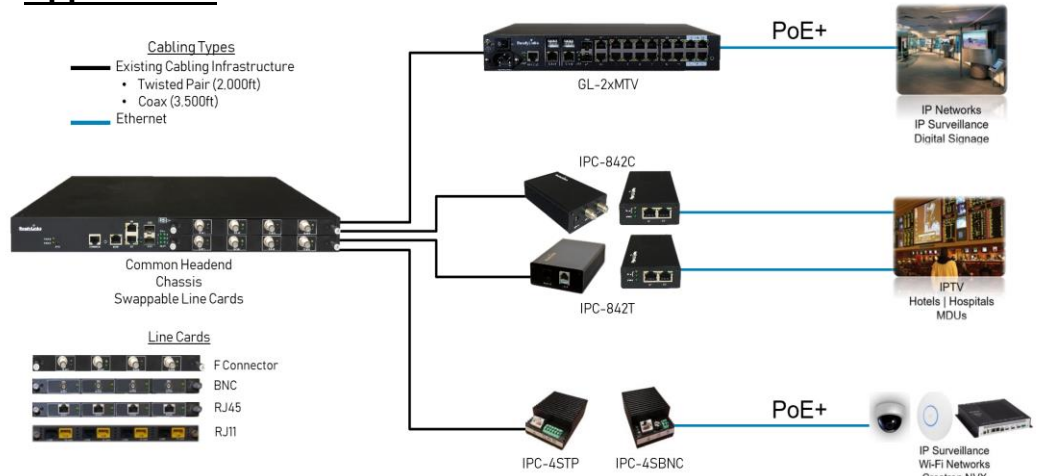
- GigE+ over Single Pair, UTP, or Coax
- Dual Power Supply
- Fast Installation
- Significantly reduced install cost and downtime
- 2,000+ft reach over twisted pair
- 3,500+ft reach over coax
- Advanced Data Security Features
- Compatible with RF Video
- Extensive VLAN capabilities
- Flexible Direct, Ring or Daisy Chain WAN Architecture

Product	Cable Type	Reach	Rate
 GL-8xT	Twisted Pair	2,000+ ft	1.8 Gbps
 GL-8xC	Coax	3,500+ ft	1.8 Gbps

## Key Benefits

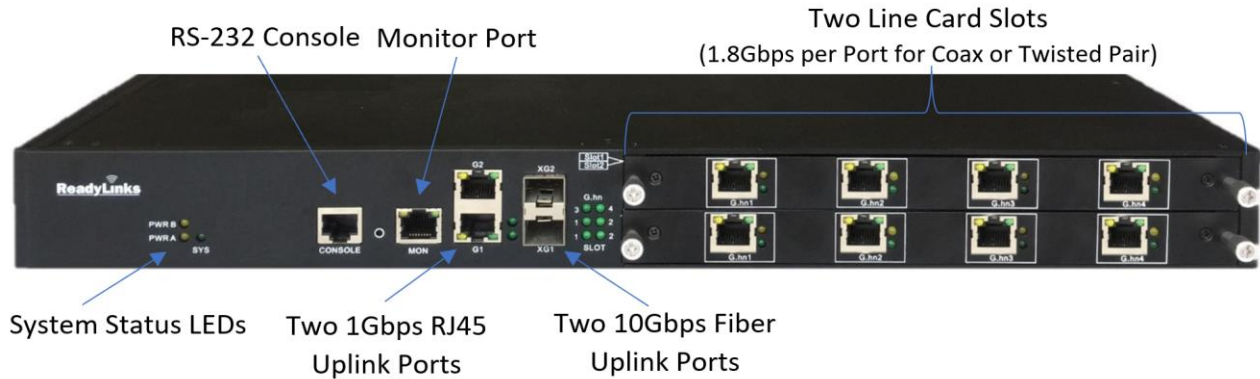
- Eliminate rewiring for significant installation savings
- Reduce risk and downtime to maximize ROI
- Same headend chassis for coax and twisted pair solution
- Swappable line cards for easy expansion and installation

## Applications



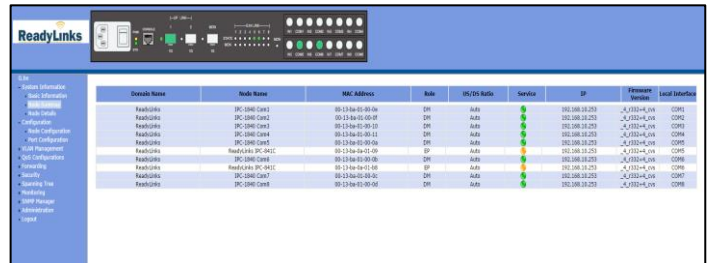
## Low Cost Hassle Free Upgrade

The GL-8x product line specializes in Gigabit IP distribution over existing cable. Cut the cost and hassle of pulling new cables and upgrade any existing copper network into a high-speed Layer 2+ network.



## Rapid Provisioning and Management Options

- Easy Plug and Play Installation
- Remote management of attached clients reduces maintenance calls
- ReadyView NMS provides insight into the status of the network. Get alerts, prevent outages, monitor all services.



Specifications	
Operating Temperature, Storage Temperature	0 to 40° C, -10° C to 65° C
Input Voltage and Power Consumption	110-240 Volts AC (50-60 Hz) < 75 watts; Dual power supply
Certifications	UL, CE, CUL, FCC Part 15 Class B, EMC 89/336/EEC, ICES-003
Twisted Pair Coax	Minimum 2 conductors. Nano Skew, Belden, CAT1-5, CAT5E, CAT6, CAT7 ~40dB of attenuation in the frequency range 5-200Mhz
Ethernet Interface WAN/LAN Connectivity	Two (2) SFP sockets supporting 10G symmetrical fiber or copper Ethernet ring, daisy chain or direct connect.
Serial Interface	RS 232 console port
WAN Protocols	MSTP, RSTP
Standards Compliance	IEEE802.3, IEEE802.3u, IEEE802.x, IEEE802.1D, IEEE802.1Q VLAN ID, ITU-T G.9954
VLAN Tagging	Fully manage both client and master port VLAN tagging and trunking
Dimensions	12”(L) x 19”(W) x 1.75”(H)
Management	Fully Managed. GUI, SNMP, SSH, Console
Configuration	Automatic remote server configuration file
Data Rate Physical Layer	2,048 Mbps
Data Rate Effective	1,800 Mbps
Distance	2,000+ ft UTP (Minimum 2 conductors)   3,500+ ft Coax
Modulation Type	Fast Fourier Transform (FFT) Orthogonal Frequency-Division Multiplexing (OFDM) in 4-200Mhz offers 2Gbps bit rate over single medium.
Robustness	LDPC, FEC line condition adaptive
Twisted Pair Compatibility	CAT1 TO CAT5, CAT5E, CAT6 & CAT7 Nano-skew (1 pair = 1+ G. 4 pair > 4 G trunk feed) Belden 87723 paired – Audio, control and Instrumentation cable Crestron Crestnet